

CUSTOMER DRAWING

REV.	DESCRIPTION	DATE	DRAWN	CHECK	APPROVE
A	NEW REVISION	05/24/05'	Jenny	Jacky	Peter
B	ECN96001	01/08/07'	Denice	Ren	Peter

ORDERING INFORMATION

LM315 XXX TF 1

① ② ③ ④

① **PRODUCT SERIES**

2.0 SHROUDED HEADER
TOP ENTRY DAUL ROW DIP TYPE

② **NUMBER OF CONTACTS**

SEE DIM. TABLE

③ **CONTACT PLATING**

TO: TIN / LEAD PLATED
TF: LEAD FREE BRIGHT PLATED
(UNDER 90 PPM)

④ **PACKING METHOD**

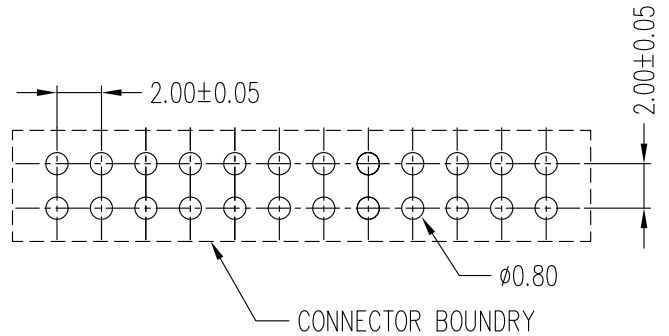
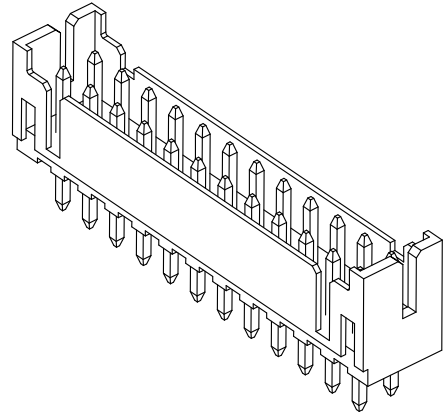
1: TRAY

PERFORMANCE CHARACTERISTICS

Operating Voltage:	250V AC/DC Max.
Current Rating:	3 Amp Max.
Contact Resistance:	20 mΩ Max.
Insulation Resistance:	1000 MΩ Min.
Dielectric Withstanding Voltage:	800 VAC RMS.
Operating Temperature:	-25°C TO +85°C

MATERIAL

Insulator: Nylon 66 , UL94V-0 Rated
Insulator Color: Black
Terminal: Brass
Plating: SEE ORDERING INFORMATION



RECOMMEND P.C.B LAYOUT

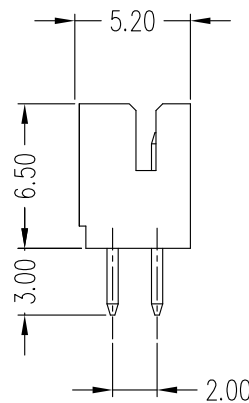
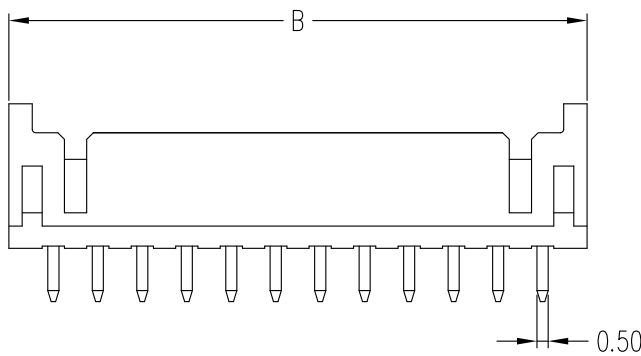
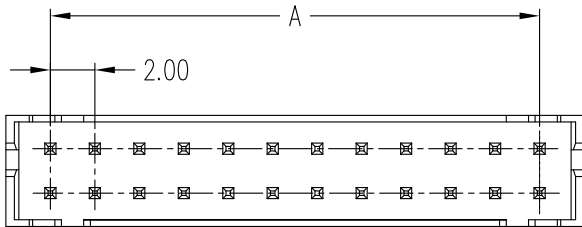


TABLE OF DIMENSION

NO. of Pins	Dimensions	
	A	B
3X2	4.00	8.00
4X2	6.00	10.00
5X2	8.00	12.00
6X2	10.00	14.00
7X2	12.00	16.00
8X2	14.00	18.00
9X2	16.00	20.00
10X2	18.00	22.00
11X2	20.00	24.00
12X2	22.00	26.00
13X2	24.00	28.00
14X2	26.00	30.00
15X2	28.00	32.00
16X2	30.00	34.00
17X2	32.00	36.00



TOLERANCE (UNLESS SPECIFIED)

0.0	±0.35
0.00	±0.20
0.000	±0.XX



UNICORN
ELECTRONICS
COMPONENTS

TITLE:
2.0 SHROUDED HEADER
TOP ENTRY DUAL ROW DIP TYPE (WAFER)

DWG NO.
LM315_C
FILE PATH
LM315\LM315_CB

SERIES
LM

SHEET
1/1
REV.
B