

Specification

Insulator Material: High Temp. Thermoplastic, UL94V-0
 Contact Material: Phosphor Bronze
 Contact Plating: Au/Ni(80μ" Min.) on Contact Area
 Sn(100μ" Min.)/Ni(50μ" Min.) on PCB Connection Area
 Current Rating: 12P(1.7A)/50P(1.3A)/80P(1.0A)
 Ambient Temperature 20°C
 Contact Resistance: 25 Milliohms Max.
 Insulator Resistance: 1000 Megohms Min.
 Dielectric Withstanding: 500V AC for 1 Minute
 Operating Temperature: -55°C ~ +125°C

< ORDERING INFORMATION >

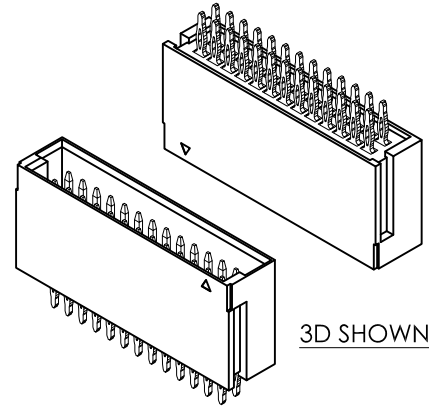
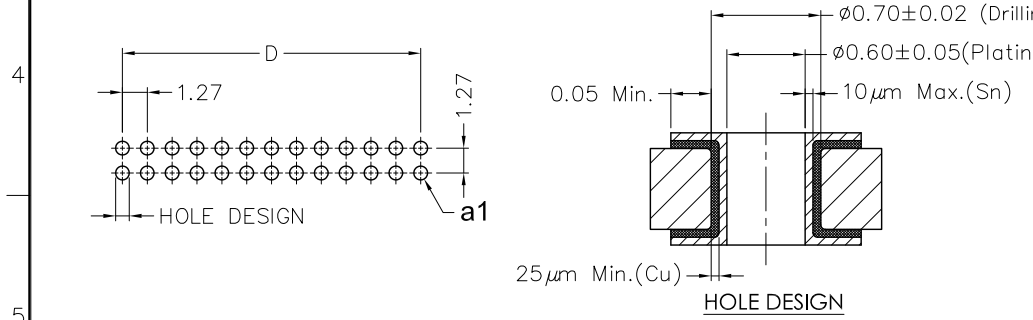
SMC04F XX XXX 2

SERIES NO. 1.27 SMC Male Connector
 Dual Row Press Fit Type

PACKING 2: Tube

CONTACT PLATING
 600: Selective Gold Flash Plated (1μ" Min.)
 605: 5μ" selective Gold Plated
 630: 30μ" selective Gold Plated

CONTACT POSITION SEE DIM. TABLE



DIM. TABLE

PIN NO.	DIMENSION			
	A	B	C	D
12	10.47	9.57	8.57	6.35
16	13.01	12.11	11.11	8.89
20	15.55	14.65	13.65	11.43
26	19.36	18.46	17.46	15.24
32	23.17	22.27	21.27	19.05
40	28.25	27.35	26.35	24.13
50	34.60	33.70	32.70	30.48
68	46.03	45.13	44.13	41.91
80	53.65	52.75	51.75	49.53

6		New Version	2022,07,13
REV.	DESCRIPTION	DATE	
DR. Shun	CHK. Ren	APP. Peter	



TOLERANCE (UNLESS SPECIFIED)
 X.X = ±0.25
 X.XX = ±0.15
 X.XXX = ±0.05
 ANG. = ± 2'



TITLE: 1.27 SMC Male Connector
 Dual Row Press Fit Type

DWG NO. SMC04F-C

SHEET 1 / 1
 REV. 1